

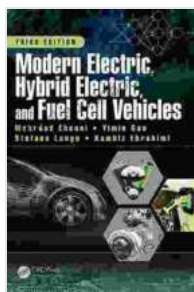
# Delve into the Realm of Power Electronics: A Comprehensive Guide with "Fundamentals, Theory, and Design of Power Electronics and Applications"

Harnessing the power of electricity is a fundamental aspect of modern society, and power electronics plays a pivotal role in this endeavor.

"Fundamentals, Theory, and Design of Power Electronics and Applications" emerges as an indispensable resource for understanding and mastering the complexities of this field.

## Embrace a Holistic Approach to Power Electronics

This comprehensive book seamlessly integrates theoretical foundations with practical applications, empowering readers to navigate the intricate world of power electronics. Embark on a journey that encompasses:



### Modern Electric, Hybrid Electric, and Fuel Cell Vehicles: Fundamentals, Theory, and Design (Power Electronics and Applications Series Book 6) by William Wordsworth

★★★★☆ 4.3 out of 5

Language : English

File size : 13220 KB

Screen Reader : Supported

Print length : 424 pages

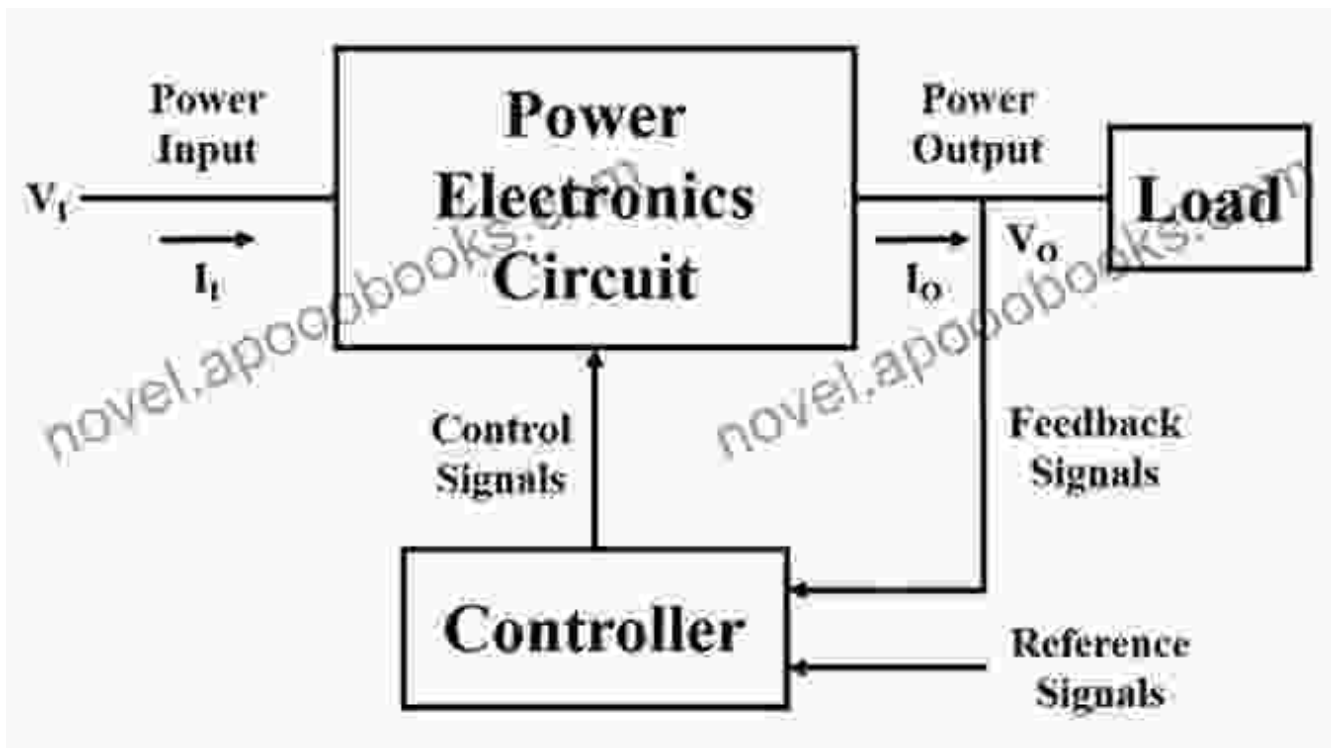


- Solid-state devices and their characteristics

- Circuit analysis and modeling techniques
- Power conversion principles and topologies

li>Control techniques and stability analysis

- Industry-relevant applications and case studies



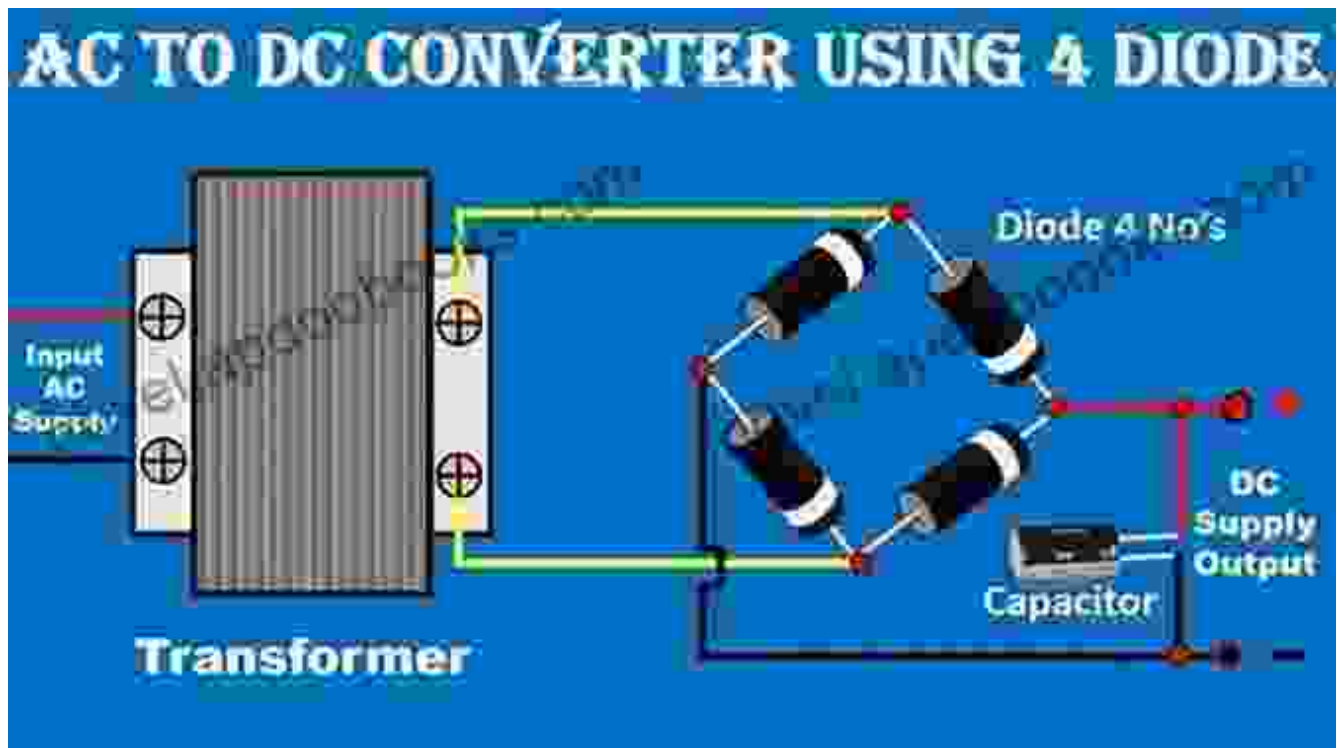
## Unveil the Secrets of Power Conversion

At the heart of power electronics lies the art of power conversion, where energy is transformed from one form to another. The book delves into the intricacies of AC-DC, DC-AC, and DC-DC converters, unraveling their operating principles and design considerations.

Readers will gain a deep understanding of:

- Diode, thyristor, and MOSFET characteristics

- Rectifier and inverter topologies
- Switch-mode power supplies and their control
- Pulse-width modulation techniques
- Resonant and soft-switching converters



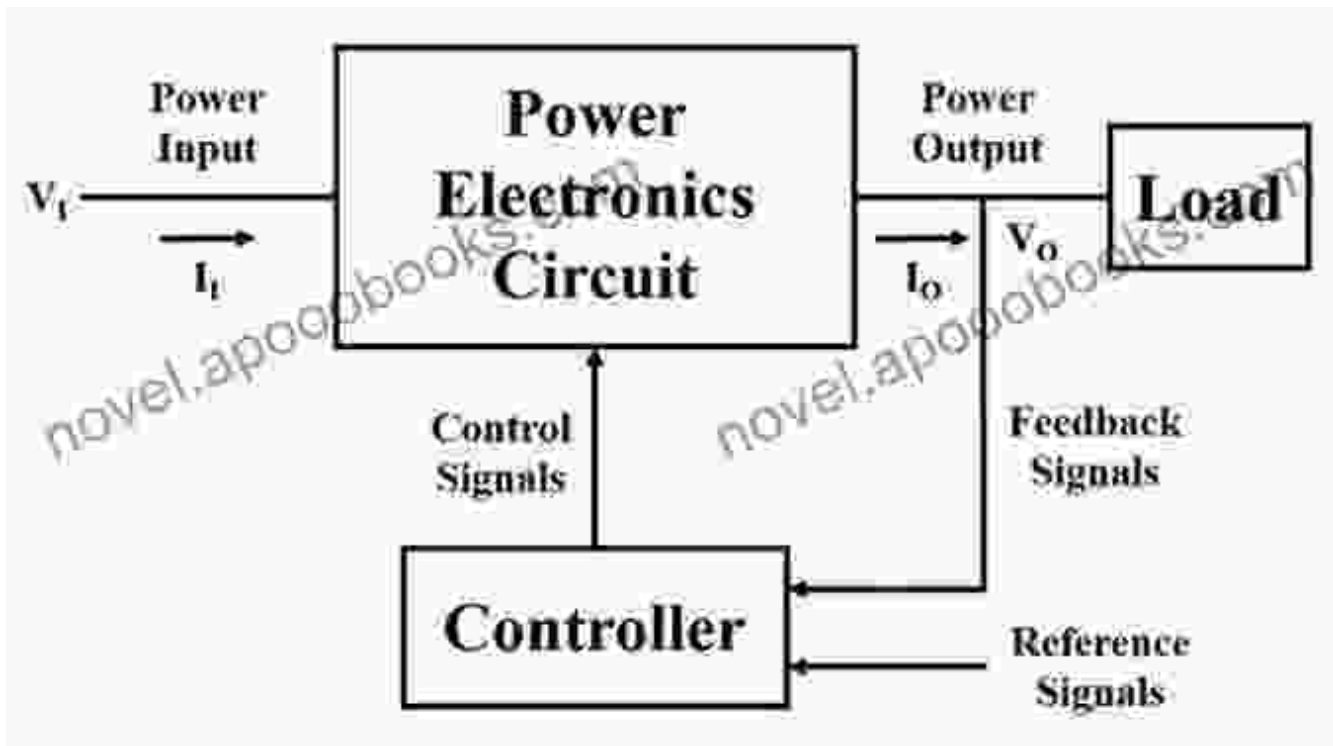
A simplified circuit diagram of a power converter, illustrating the power flow and control mechanisms.

## Master the Art of Control and Stability Analysis

The stability and control of power electronics systems are crucial for ensuring reliable operation. The book equips readers with the tools to analyze and design control systems for various power electronic applications.

Key topics covered include:

- Basic control principles
- Linear and nonlinear control techniques
- P, PI, and PD controllers
- State-space modeling and analysis
- Stability criteria and compensation techniques



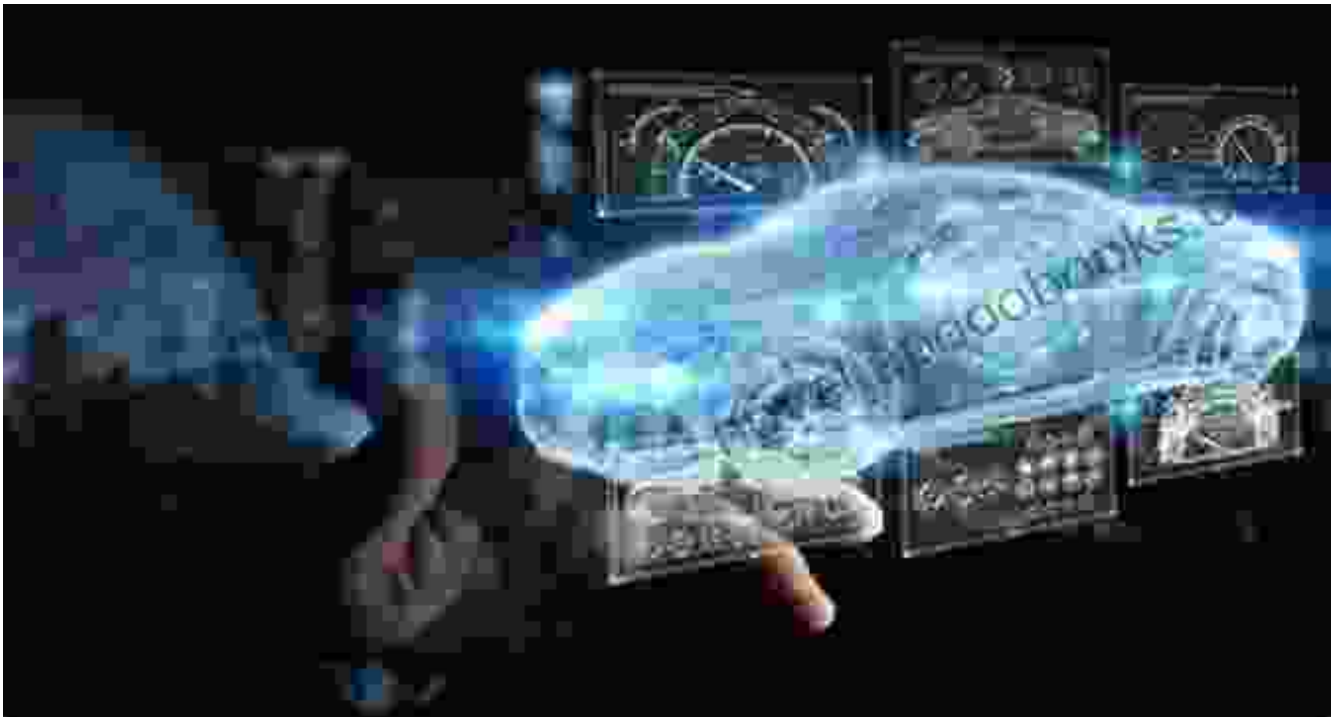
## Explore Real-World Applications and Case Studies

The true value of power electronics lies in its practical applications, and this book showcases a wide range of real-world examples. Readers will delve into:

- Motor drives and variable speed control
- Uninterruptible power supplies (UPS)

- Photovoltaic systems
- Electric vehicles
- Power factor correction

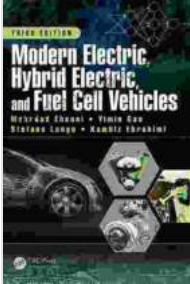
In-depth case studies provide firsthand insights into the design and implementation of power electronics systems in various industries.



Power electronics plays a critical role in electric vehicles, controlling the flow of energy between the battery, motor, and charger.

"Fundamentals, Theory, and Design of Power Electronics and Applications" is an indispensable guide for anyone seeking to master the complexities of power electronics. With its comprehensive coverage, practical insights, and real-world applications, this book empowers readers to harness the power of electricity and drive innovation in a wide range of industries.

Embrace the challenges and opportunities of power electronics with this invaluable resource. Free Download your copy today and unlock the secrets to unlocking the full potential of electricity.



## Modern Electric, Hybrid Electric, and Fuel Cell Vehicles: Fundamentals, Theory, and Design (Power Electronics and Applications Series Book 6) by William Wordsworth

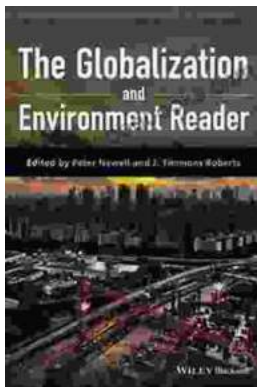
★ ★ ★ ★ ☆ 4.3 out of 5

Language : English

File size : 13220 KB

Screen Reader: Supported

Print length : 424 pages



## Unlocking the Intricate Nexus: The Globalization and the Environment Reader

In an era marked by rapid globalization, the intricate relationship between human activities and the environment has become increasingly apparent. 'The...



## **Last Summer at the Golden Hotel: A Captivating Journey of Mystery, Romance, and Redemption**

Synopsis: A Transformative Summer at the Golden Hotel Step into the heart of Last Summer at the Golden Hotel, a captivating novel that unveils the transformative...